



Wall valve 3/4" -

35 608 970 90



- red brass, lead-free
- female thread 3/4" connection
- 1x female thread 3/4" outlet
- dust cover
- anti-water packing
- soundproofing
- suitable for xGRID (when using installation track + 12 mm recess depth)

Required miscellaneous

Leak protection 3/4" -

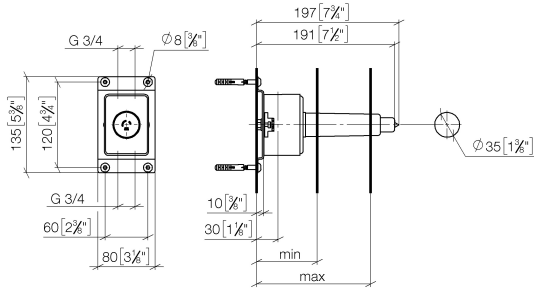
12 012 970 90



Wall valve 3/4" -

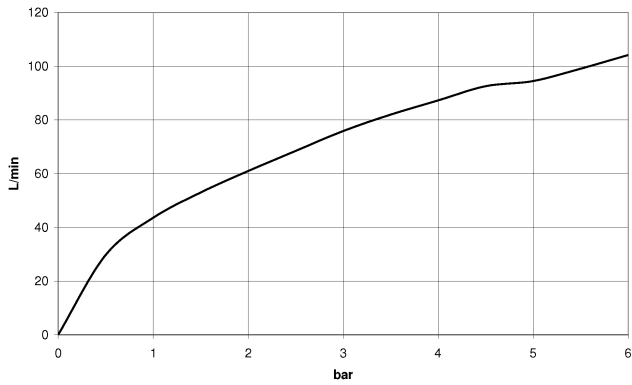
35 608 970 90

mm [inches]



| Serie | min | max |
|---------------|--------------|--------------|
| Madison | 75 [3"] | 145 [5 3/4"] |
| Madison Flair | 75 [3"] | 145 [5 3/4"] |
| Lulu | 75 [3"] | 145 [5 3/4"] |
| Vaia | 75 [3"] | 145 [5 3/4"] |
| Symetrics | 75 [3"] | 145 [5 3/4"] |
| Tara | 85 [3 3/8"] | 145 [5 3/4"] |
| Deque | 85 [3 3/8"] | 145 [5 3/4"] |
| CL1 | 105 [4 1/8"] | 150 [5 7/8"] |
| Mem | 105 [4 1/8"] | 150 [5 7/8"] |

Flow rate chart

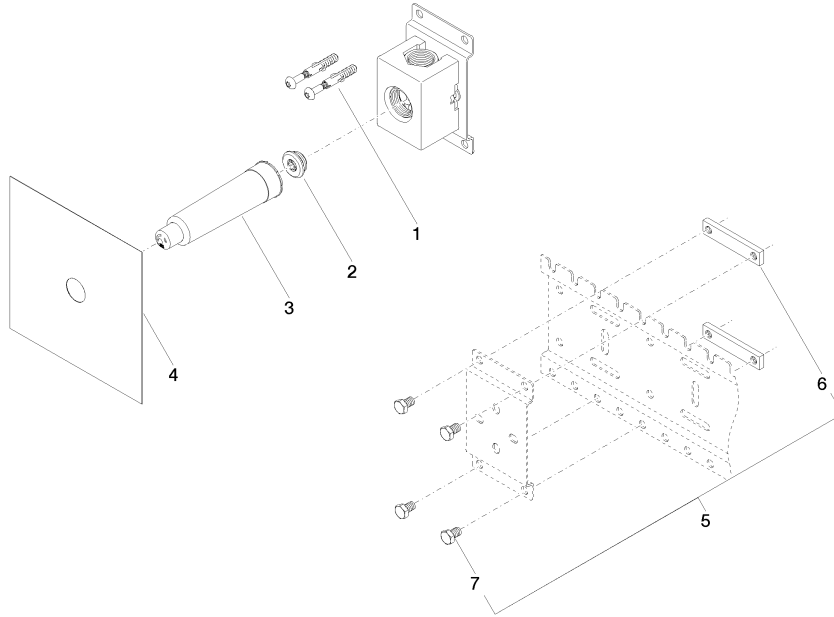


Certificates

WRAS_2010066.

Wall valve 3/4" -

35 608 970 90



Spare parts list

| No. | Item Number | Name | Quantity used | Delivery time |
|-----|--------------------|------------|---------------|---------------|
| 1 | 04 30 31 024 01 90 | fixing set | 2 | 2 |
| 2 | 09 14 10 112 90 | seal | 1 | 2 |
| 3 | 09 31 20 003 90 | plug | 1 | 2 |
| 4 | 09 21 02 173 90 | cap | 1 | 2 |
| 5 | 04 14 03 072 01 90 | gasket kit | 1 | 2 |
| 6 | 04 17 20 100 00 90 | fixing set | 1 | 2 |
| 7 | 09 17 20 100 90 | holder | 2 | 2 |
| 8 | 09 30 30 152 90 | screw | 4 | 2 |